

PUMPSTATION EDGAR

inkl. skärande pump och plastlock

Den kompakta pumpstationen Edgar är avsedd för hantering av avloppsvatten och dagvatten. När det handlar om tryckavlopp för villabruk, kan man hantera avloppsvattnet både mer ekonomiskt och miljövänligt med Edgar.

Edgars unika design ger hållbarhet och god förankring. Edgar är dimensionerad för avloppsvatten för 1 hushåll och tillverkad i PE-HD, polyeten high density, ett material som är återvinningsbart och möjliggör tillverkning i långa serier. Edgars pumpstationer har teleskopisk betäckning i plast.

Concleans pumpbrunnar och pumpstationer är utrustade med pedrollos premiumpumpar.

Medföljer

- GRAF teleskopbetäckning i plast DN400
- Utloppsrör PE DN32
- Snabbkoppling för pump
- Backventil
- Gummimanschett för inloppsrör dim 110

TEKNISK DATA

Art nr.	554	556
Höjd (H) (med lock)	1500 mm	2000 mm
Dim	850 mm	830 mm
Dim utlopp	DN40	DN40
Dim inlopp (Di2)	110/160 mm	110/160 mm
Brukbar volym	250 l	250 l
Vikt utan pump (kg)	40	45
Skärande Pumpar	TGM 0,7 enfas	TGM 0,7 enfas



Tillval

Trådbundet larm
Art.nr. 110 426



-  Sewage
-  Domestic use
-  Civil use

※ TRITUS-INOX pumps deliver reliable performance in demanding work conditions



PERFORMANCE RANGE

- Flow rate up to **250 l/min** (15 m³/h)
- Head up to **24 m**

INSTALLATION AND USE

The **TRITUS-INOX** series is equipped with a robust, **hardened stainless steel blade**, expertly designed to cut through solids and fibers found in domestic wastewater and sewage, for pressurized transfer of materials into sewage systems via small-diameter piping

INCLUDES

- ※ Power cable length **10 m**
- ※ Float switch (exclusive to single-phase models)

APPLICATION LIMITS

- Depth below water level up to **5 m** (with an appropriately sized power cable)
- Liquid temperature up to **+40 °C**
- Bottom drainage level up to **85 mm**
- **Minimum immersion for continuous service: 300 mm**

AVAILABLE UPON REQUEST

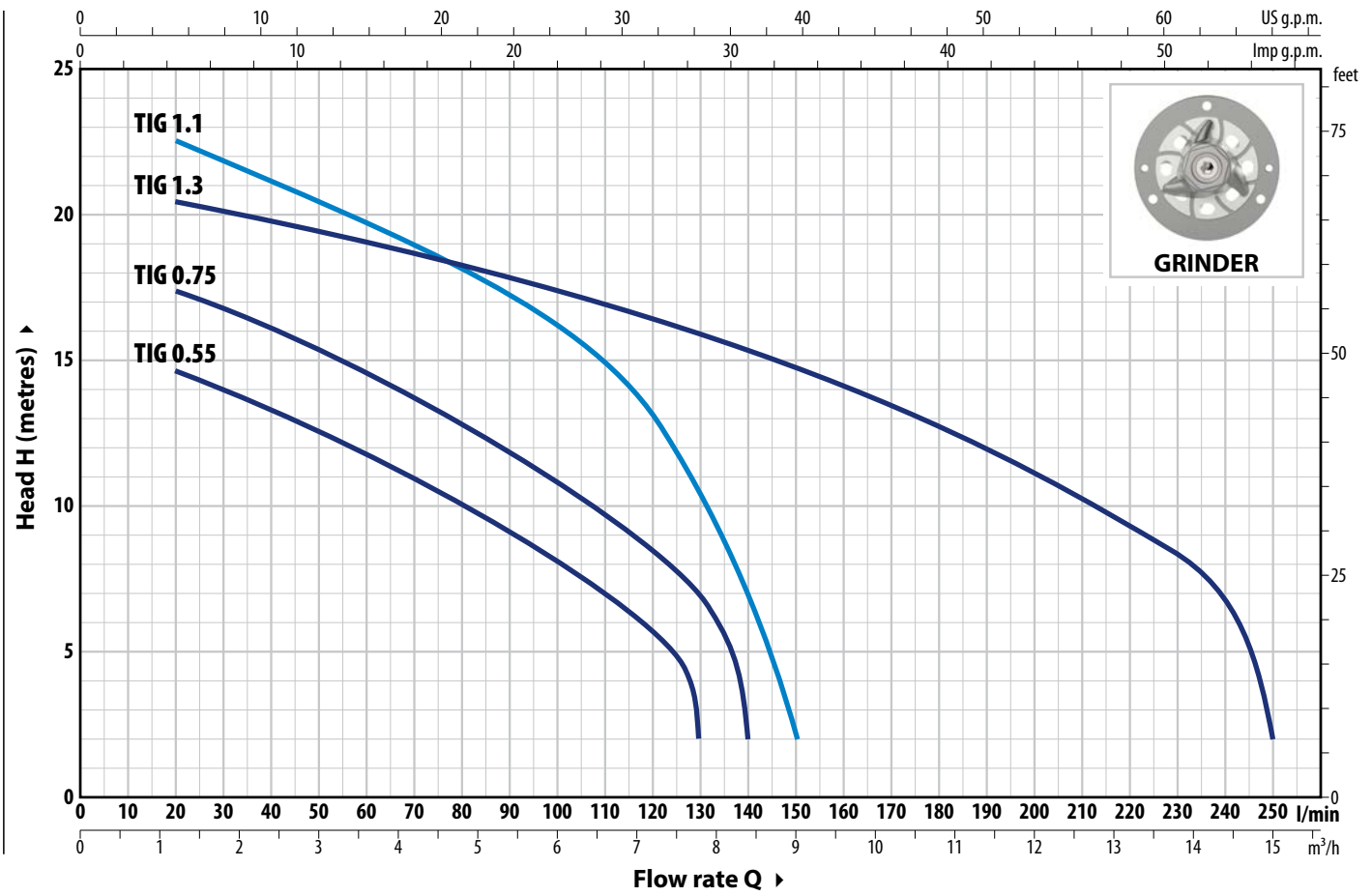
- ※ Different voltage requirements 60 Hz frequency
- ※ Three-phase pumps
- ※ For TIGm 1.1 and TIGm 1.3 external control cabinet for increased operational safety due to special capacitor that significantly increases torque. The panel includes the manual reset motor protection switch.

PATENTS - TRADE MARKS - MODELS

- Patent No. EP2313658
- Patent No. IT0001428923
- TRITUS® Registered Trade mark No. 013017181

CURVES AND PERFORMANCE DATA

50 Hz



TYPE	POWER (P ₂)		Q	Flow rate (l/min)																
	kW	HP		0	1.2	2.4	3.6	4.8	6	7.2	7.8	8.4	9	10.2	12	13.2	14.4	15		
Single-phase				0	20	40	60	80	100	120	130	140	150	170	200	220	240	250		
TIGm 0.55	0.55	0.75	H metres	16	14.5	13.3	11.8	10	8	5.7	2									
TIGm 0.75	0.75	1		18.5	17.5	16	14.6	12.8	10.8	14	7	2								
TIGm 1.1	1.1	1.5		24	22.5	21	19.5	18	16.3	13	10.4	6.8	2							
TIGm 1.3	1.3	1.75		21	20.5	19.7	19	18.2	17.4	16.5	16	15.4	14.8	13.5	11	9.2	7	2		

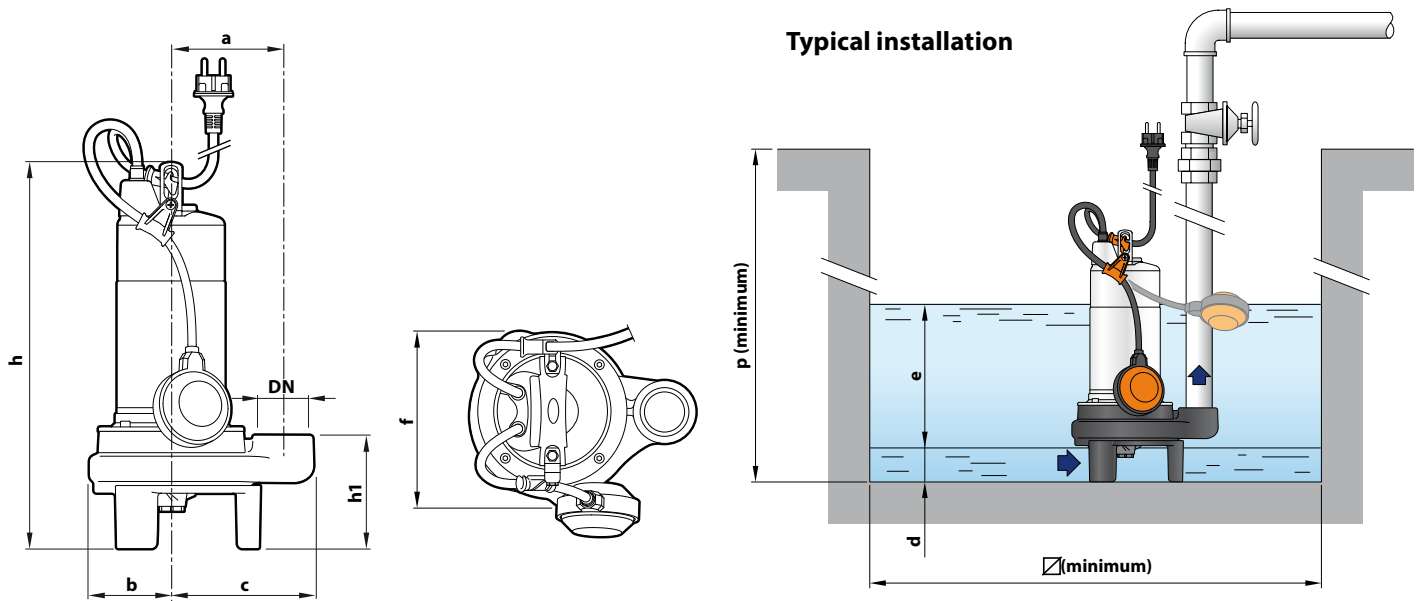
Q = Flow rate H = Total manometric head

Performance curves comply with EN ISO 9906 Grade 3B tolerance limits.

ABSORPTION

TYPE	VOLTAGE
Single-phase	230 V
TIGm 0.55	4.5 A
TIGm 0.75	5.5 A
TIGm 1.1	6.7 A
TIGm 1.3	7.0 A

DIMENSIONS AND WEIGHT



TYPE	PORT DN	DIMENSIONS mm										kg 1~
		a	b	c	f	h	h1	d	e	p	∅	
Single-phase												
TIGm 0.55	1½"	115	85	147	177	398	117	65	adjustable	500	500	15.9
TIGm 0.75												
TIGm 1.1			93	195	432	127	70					18.3
TIGm 1.3												

PALLET CAPACITY

TYPE	NO. OF PUMPS
Single-phase	
TIGm 0.55	60
TIGm 0.75	60
TIGm 1.1	45
TIGm 1.3	45

MATERIALS AND COMPONENTS

1 Pump body Cast iron with cathaphoresis treatment, provided with ISO 228/1 threaded port

2 Impeller Open type in technopolymer

3 Grinder Hardened **AISI 440C** stainless steel

4 Motor shaft Stainless steel **AISI 431**

5 Motor sleeve Stainless steel **AISI 304**

6 Double shaft seal with interposed oil chamber

Water pump	Seal	Shaft	Location	Materials
TIG 0.55	MG1-14D SIC	Ø 14 mm	Motor side	SiC / Graphite / NBR
TIG 0.75			Pump side	SiC / SiC / NBR
TIG 1.1	ST1-14 SIC	Ø 14 mm		Ceramic / SiC / NBR
TIG 1.3	Shaft seal	Ø 16 x Ø 24 x H 5 mm		

7 Electric motor

Single-phase 230 V - 50 Hz
with winding integrated thermal motor protection

- Insulation: class F
- Protection rating: IP X8

8 Power cord

※ 10 metres 'H07 RN-F' type with Schuko plug

9 Float switch

10 Tilting device for the float cable

Patent No. IT0001428923

11 Power cable strain relief

Patent No. EP2313658

